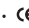


The Single-phase battery charger CHFC-3 is an innovative device with extraordinary versatility, reliability and efficiency. Different software may be installed in order to change the charging features and to adapt them to every kind of battery. The reduced size of this model allows both installation on a wall, and on-board. Consequently the battery can be recharged from any available outlet, without driving the machine to a specific charging area.

Technical Features

SINGLE PHASE BATTERY CHARGER MODEL CHFC-3

- Input Voltage: **230 VAC** ± 10%
- Input frequency: 50 - 60 Hz
- Efficiency: > 85 %
- Minimum power absorbed: < 5 W
- Current absorbed by the battery: < 0,5 mA
- Operating temperature: from -20 to + 50 °C
- Output short-circuit protection (fuse)
- Inverse polarity protection (fuse)
- Charging curve: programmable
- Accuracy on output voltage: ± 0,5 %
- Thermal compensation of battery voltage (optional with thermal sensor)
- Acoustic alarm
- Auxiliary contacts of main presence and end of charge (Standard Charger) or of air pump control and end of charge (Charger with air pump)
- Cooling: forced
- Case: Metal base, cover in self-extinguishable PST
- Size: 430 x 220 x 110 mm
- Weight: 5,5 kg
- Enclosure class: IP20
-  In conformity with the requirements of the Low Voltage Directive and of the Directive EMC.



Battery Voltage	Charging time			Type	VAC	I1	IMAX	Mains
	7÷8,5 h	9÷11 h	12÷13 h					
24	240-360	400-480	520-560	24V 60A	230	50	60	11
	335-505	560-670	730-785	24V 85A	230	70	84	15
	385-575	640-770	830-895	24V 95A	230	80	96	17
	480-720	800-960	1040-1120	24V 100A	230	100	100	22
36	240-360	400-480	520-560	36V 60A	230	50	60	16
	290-430	480-575	625-670	36V 70A	230	60	72	19
48	175-260	290-345	375-405	48V 45A	230	36	43,2	16
	240-360	400-480	520-560	48V 60A	230	50	60	22
72	105-160	175-210	230-245	72V 25A	230	22	26,4	14
	145-215	240-290	310-335	72V 35A	230	30	36	19



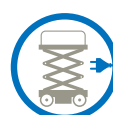
pallet trucks



electric vehicles



industrial cleaning machines

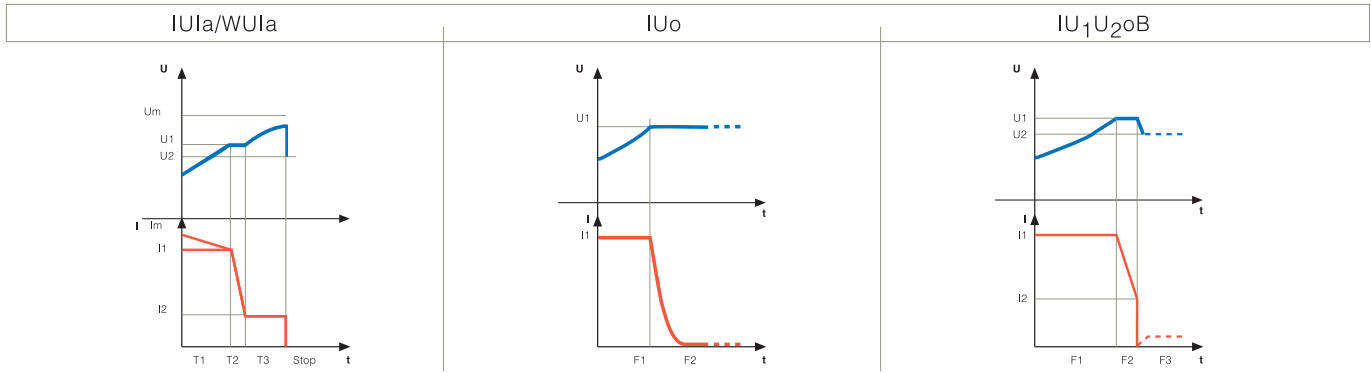


platforms



nautica / boating

Main charging curves



More and different charging curves are available for special batteries and non-standard applications.

Accessories

1 | **cod. P14004** - 300 cm

KIT LED EXTENSION d 10 - Displays the charging phase of the Charger (fixing hole d 14mm).



2 | **cod. P13003** - 200 cm
cod. P13007 - 400 cm

REMOTE INDICATOR d 20 - Displays the charging phase of the charger (fixing hole d 22 mm).



3 | **cod. P13005** - 200 cm
cod. P13013 - 500 cm (standard)
cod. P13005A - 10 m

THERMAL SENSOR - Controls the charging voltage depending on the battery temperature.



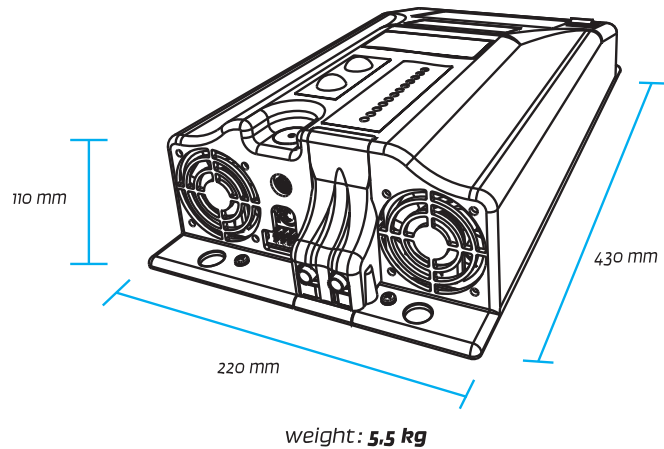
4 | **cod. P14009** - 200 cm

THERMAL SENSOR AND LED INDICATOR d 10, (fixing hole d 14 mm).



5 | **cod. P13004** - 200 cm
cod. P13004A - 10 m

THERMAL SENSOR AND REMOTE INDICATOR d 20 (fixing hole d 22 mm).



Cantec
Systems

Your Power Solutions Specialists

1573 LAPERRIERE AVENUE OTTAWA ON K1Z 7T3

OTTAWA
Tel: 613-725-3704
Fax: 613-725-0490

TORONTO:
Tel: 613-725-3704
Fax: 613-725-0490

VANCOUVER:
Tel: 604-736-4922
Fax: 604-736-1074

A DIVISION OF CANTEC REPRESENTATIVES