

**ARMASAFE™**  
*plus*



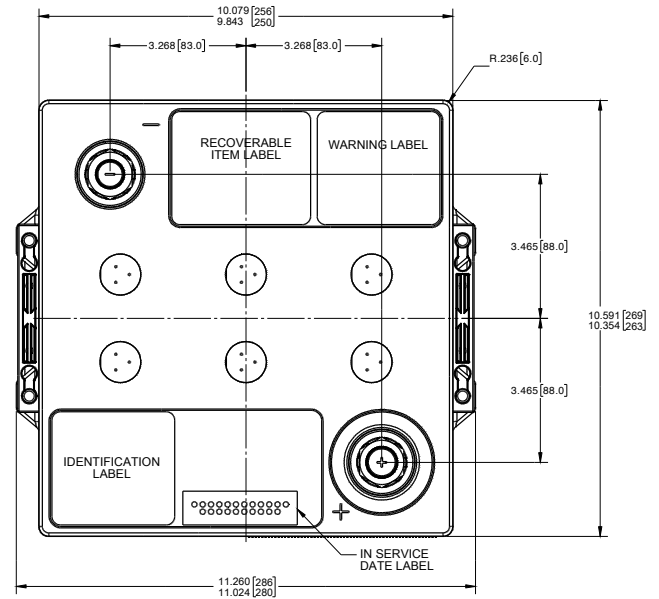
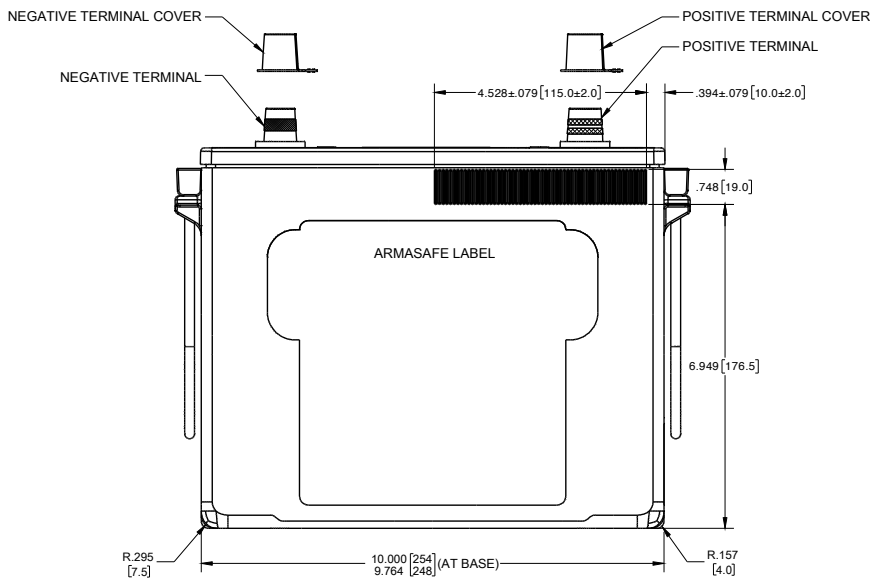
## Hawker® ARMASAFE™ Plus

BATTERY, VEHICLE, STORAGE

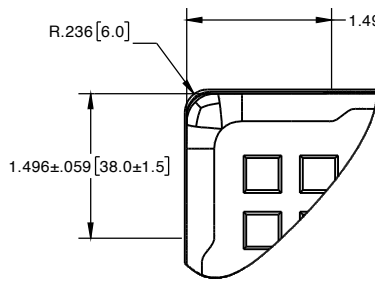
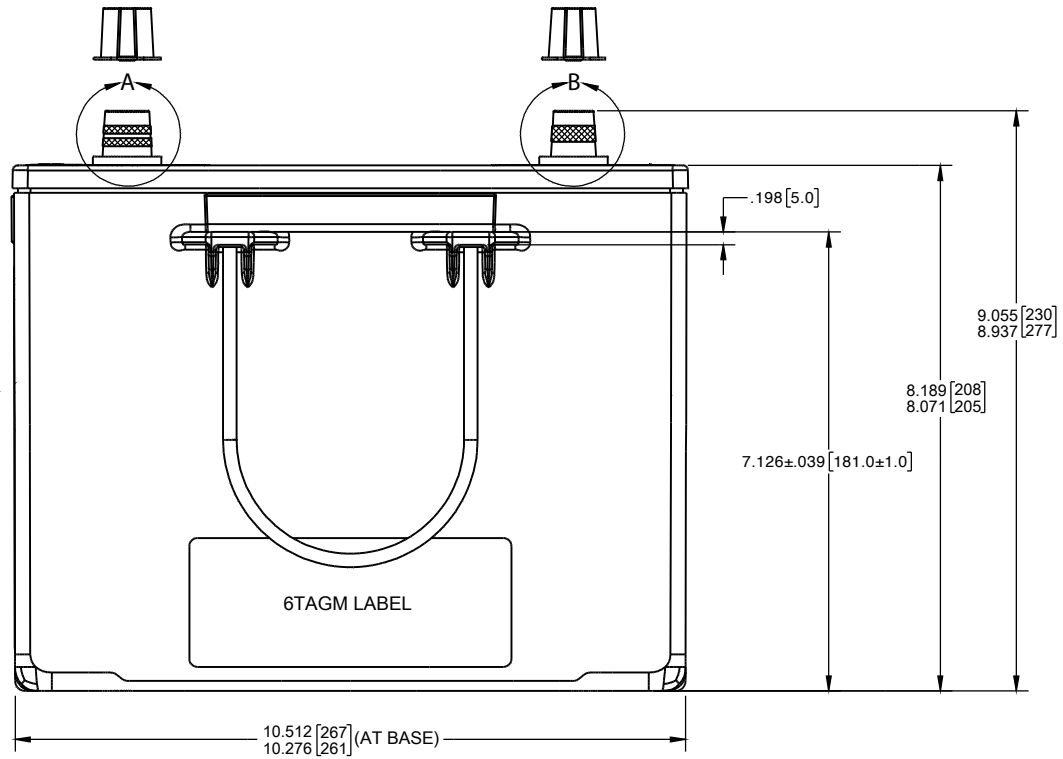
Model: HASP-FT/6TAGM

Part Number: 9750N7025

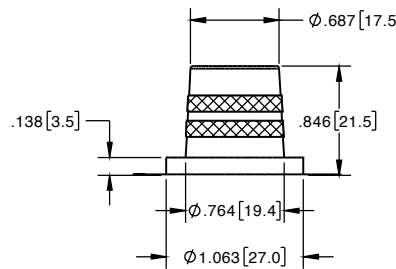
NSN: 6140-01-485-1472



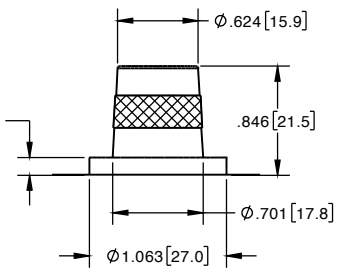
Dimensions shown are in inches [millimeter]:  
 $\begin{matrix} \text{XX.XXX} & [\text{XXX}] \\ \text{XX.XXX} & [\text{XXX}] \end{matrix} = \begin{matrix} \text{Max} \\ \text{Min} \end{matrix}$



**BOTTOM CORNER VIEW**



**DETAIL A  
POSITIVE TERMINAL**



**DETAIL B  
NEGATIVE TERMINAL**

Dimensions shown are in inches [millimeter];  $\begin{matrix} \text{XX.XXX [XXX]} \\ \text{XX.XXX [XXX]} \end{matrix} = \begin{matrix} \text{Max} \\ \text{Min} \end{matrix}$



[www.hawkerbattery.com/resources](http://www.hawkerbattery.com/resources)



EnerSys World Headquarters  
2366 Bernville Road  
Reading, PA 19605, USA  
Tel: +1-610-208-1991 /  
+1-800-538-3627