



Digital Signal Processor controlled

Universal worldwide AC input

Computer programmable

Simple front panel controls

Temperature compensation

Easy connection for one or two battery banks



5 YEAR WARRANTY



IBC320 INTELLIGENT BATTERY CHARGER

The IBC series chargers are fully Digital Signal Processor controlled and feature Universal Input Voltage from 85 to 265 VAC at 50 or 60 Hz with Active Power Factor Correction for the most efficient use of AC power.

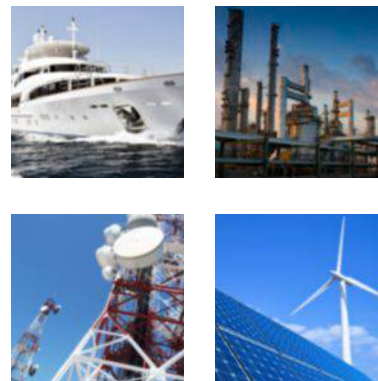
Four charging profiles are available with easy front panel selection to handle most types of batteries from traditional Lead Acid, Sealed Lead Acid and even Lithium Ion.

The free to download 'Power Wizard' software allows full programming and selection of each of the four profiles from a laptop computer. 300 and 1000 Watt models for 1 or 2 banks of 12, 24, 28, 32, 36 or 48 Volt batteries.

Available models

- 12V
- 24V
- 28V
- 32V
- 36V
- 48V

Applications



IBC320 | INTELLIGENT BATTERY CHARGER

INPUT

Volts	85 - 265 VAC, 1 Phase, 45 - 65 Hz
Current (max) *	4 Amps with Inrush Protection
Input Fuse	AGC 5 Amp
Power Factor	>0.99 at Full Load
Efficiency	>90% at Full Load

* Maximum Input Current Specified at 105 VAC, output power derated below 105 VAC

OUTPUT

Nominal Voltage	12 VDC	24 VDC	28 VDC	32 VDC	36 VDC	48 VDC
Voltage Range **	12.0-15.5 VDC	24.0-31.0 VDC	28.0-36.2 VDC	32.0-41.3 VDC	36.0-46.5 VDC	48.0-62.0 VDC
Output Current	20 Amps	10 Amps	9 Amps	8 Amps	7 Amps	5 Amps
Recommended Battery Amp-Hours	100	50	45	40	33	25
Standard Temp Compensation	-15 mV/C	-30 mV/C	-35 mV/C	-40 mV/C	-45 mV/C	-60 mV/C
Battery Banks	1 or 2 Banks with common negative					
Charging Stages	2 or 3 stage user selectable					
End of Charge	Float or Rest user selectable					

** Actual Output Voltage determined by User Settings or by Charger Firmware

MECHANICAL

Dimensions	9.5 in / 24.1 cm Long x 8.0 in / 20.3 cm Wide x 3.25 in / 8.3 cm High
Clearance	1.0 in / 2.5 cm all around
Weight	6.2 lb / 2.8 kg
Material and Finish	Marine Grade Black Anodized Aluminum with 18-8 Stainless Fasteners
Mounting	Wall or Shelf Mount
Connections	Integrated Color Coded Terminal Blocks

ENVIRONMENTAL AND SAFETY

Operating Temperature Range	-25°C to +40°C (-40°C to +55°C Optional)
Storage Temperature Range	-55°C to +85° C
Humidity	0 - 95% Relative Humidity (non-condensing) with standard conformal coating
Emissions	Meets FCC Part 15, Class B
Ingress Protection	IP52, Dust and Dripping Water Protected
Isolation	>1500 VDC Input-Output, Input-Case, Output-Case
Audible Noise	None
Duty Cycle	Continuous
Warranty	Five Years Parts and Labor
Safety	Built to meet ABS, CE, UL458 and CSA 22.2.107.1

OPTIONS

Digital Display of Voltage and Current (lengthens chassis)

High Vibration Rugged Duty

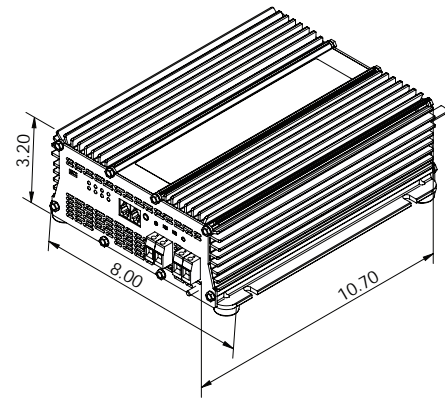
Dry Contact Output Fail Relay

Carrying Handle

Canbus / RS232 / Remote Control port

IBC320MW model available with MIL connectors, extra input and output filtering and sealed to IP66

DIMENSIONS




ANALYTIC SYSTEMS
Power Conversion Solutions

 AnalyticSystems.com

 sales@analyticssystem.com

 604.946.9981 800.668.3884

 8128 River Way
Delta BC V4G 1K5