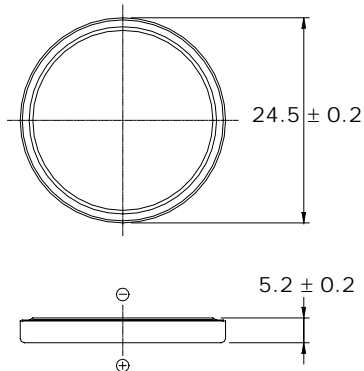
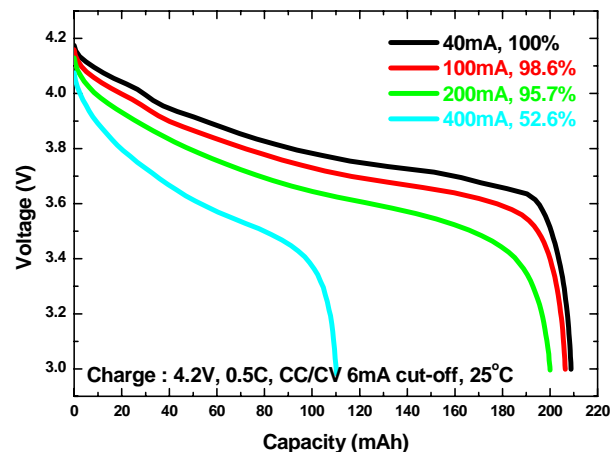


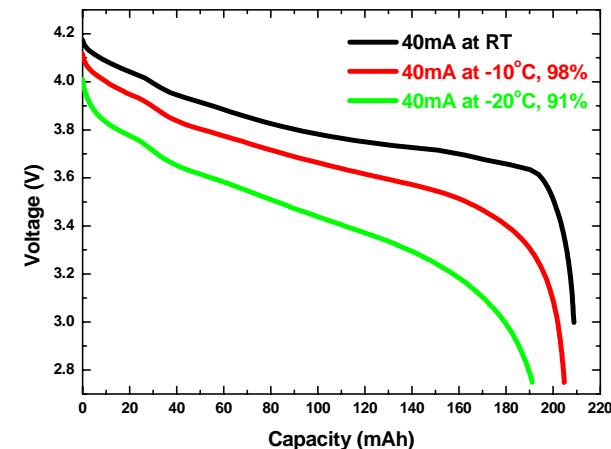
Dimension (mm) *1



Discharge Characteristics I



Discharge Characteristics II



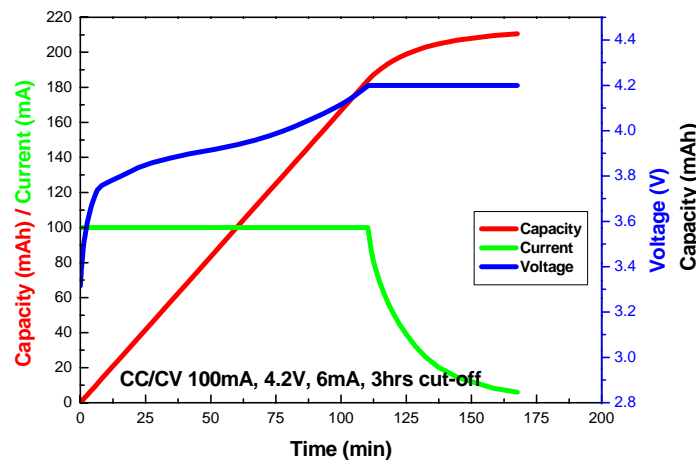
Specification

Nominal Voltage	3.7 V
Nominal Capacity *2	200 mAh
Dimension (mm)	5.2 x 24.5
Weight(Approx.)	6.5 g
Max. Discharge Current	2 CmA (400 mA)

*1 Dimensions of a fresh battery

*2 Discharged at 0.2CmA(40mA), 3V cut-off

Charge Characteristics



Cycle Life Characteristics

